

2-½", 65mm BSP Pressure/Vacuum Relief Vent

We start with the best raw materials that are precision machined to absolute tolerances.

Stainless steel springs are heat treated and designed with a specific resistance load, making them ready to go right out of the box. Springs are formed with an exact straightness while under a pressure load, and a grinding process is added to ensure all springs are uniform.

This makes for a nearly perfect spring with only minor adjustments necessary during installation.

O-Rings are made from an industry standard PTFE encapsulated silicone construction. IM Vents are designed to accept most other major vent/stroke valve manufacturers' O-Rings without adverse effect on performance.

Features

- Pressure / Vacuum or Pressure only styles available
- Hardened coil springs for extra durability
- Highest flow rate of any pressure relief vent through a 2-½" opening
- PTFE seals and O-Rings are interchangeable with other major brands
- Optional Teflon® spray coating available upon request
- Test certificates are supplied with each vent

PART #	DESCRIPTION
IM(XX)	Standard 2 ½" BSP connection, Tef-O-Sil O-Rings (PTFE), rugged cast 316 stainless steel construction, electropolished to a bright finish, tested and certified with documentation and a unique serial number
IM(XX)-VV	Same as above, except this model provides vacuum protection as well as pressure relief

For pressure settings: Substitute (xx) with pressure rating in BAR. For example, GE-IM44 is a relief vent set to discharge at 4.4 BAR (63.8 PSI)



CE

PERFORMANCE SPECIFICATIONS

Pressure Range Capabilities	0.6 to 11 BAR (9 to 160 PSI)
Vacuum Range	1 to 12" Hg
Standard Vacuum Setting	-0.2 BAR (6" Hg)

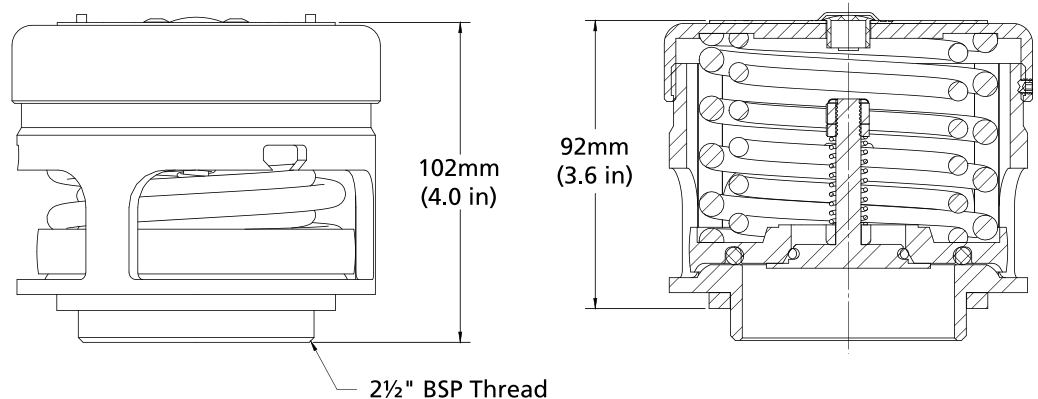
MATERIALS OF CONSTRUCTION

All contact parts are made from 316 stainless steel
Standard O-Rings are PTFE encapsulated silicone

PRODUCT DIMENSIONS

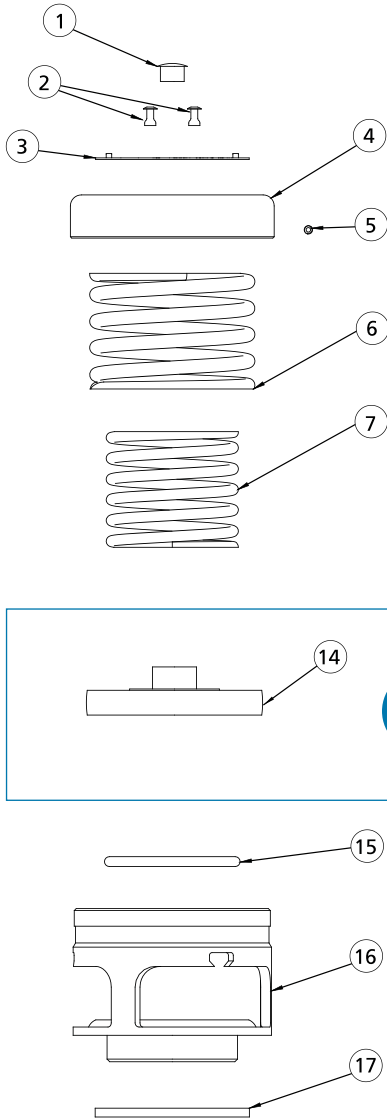
Weight: 2.72 kg (6 lbs)

Pressure/Vacuum Combination Relief Vent Shown

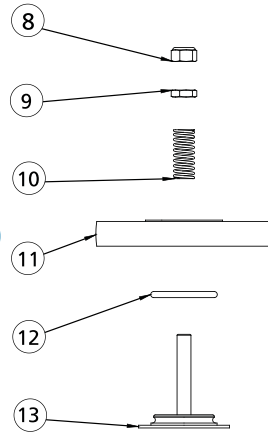


2-1/2", 65mm BSP Pressure/Vacuum Relief Vent

Pressure Only



Pressure/Vacuum



OR

ITEM	PART #	DIMENSIONS
1	GR98000	Plug
2	GB98030	Rivets 5/32"
3	GR01550	Blank Disc Polished
4	GR02510	Cap
5	GR03000	Set Screw
6	GR04400	Outer Spring (4.4 BAR)
7	GR04410	Inner Spring (4.4 BAR)
8	GR05010	Hex Lock Nut
9	GR05000	Hex Jam Nut
10	GR06000	Vacuum Spring (6 to 9" Hg)
11	GR07000	Pressure/Vacuum Pallet
12	GR09020	Vacuum O-Ring
13	GR10000	Vacuum Poppet
14	GR07501	Pressure Only Pallet
15	GR08020	Pressure O-Ring
16	GR11002	2-1/2" BSP Male Housing
17	GM22030	2-1/2" Duraseal® Tank Gasket

ITEM	DIMENSIONS
0.60 - 0.75	GQ60175
1.10 - 1.72	GR04410
2.00 - 2.38	GR04100
2.62 - 2.69	GR04400
3.30	GQ60175 and GR04400
3.71 - 3.80	GR04410 and GR04100
4.40	GR04410 and GR04400
5.00	GR04510 and GR04400
6.00 - 8.00	GR04620 and GR04630
11	GR04600 and GR04610